



P3NE Hi-Flow Filter / Regulators

- Port blocks (PB) available to provide 1-1/2" port extension to 1" ported bodies
- Excellent water removal efficiency
- Metal bowl with sight gauge
- Large filter element surface guarantees low pressure drop and increased element life
- 40 micron element standard
- Twist drain as standard, optional auto drain
- Self relieving feature plus balanced poppet provides quick response and accurate pressure regulation
- Solid control piston for extended life
- 3/4", 1", & 1-1/2" ports (NPT & BSPP)



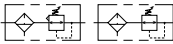
Material specifications


Adjusting stem	Steel
Body, bonnet, bowl	Aluminum
Drain	Plastic
Filter element – 40 micron	Plastic
Knob	Plastic
Piston	Plastic
Polyamide (Nylon)	Polyamide (nylon)
Springs – poppet & control	Steel

Operating information

Pressure ratings:	0 to 250 PSIG (0 to 17.2 bar)
Temperature rating:	32°F to 175°F (0°C to 80°C)

P3NE Hi-Flow Filter / Regulators



	Port size	Bowl type	Drain type	Flow SCFM	Element type	Part number (NPT)
	3/4"	Metal / Sight gauge	Twist	250	40 micron	P3NEA96GSMBNN
	3/4"	Metal / Sight gauge	Auto float	250	40 micron	P3NEA96GSABNN
	1"	Metal / Sight gauge	Twist	250	40 micron	P3NEA98GSMBNN
	1"	Metal / Sight gauge	Auto float	250	40 micron	P3NEA98GSABNN
	1-1/2" #	Metal / Sight gauge	Twist	250	40 micron	P3NEA9PGSMBNN
	1-1/2" #	Metal / Sight gauge	Auto float	250	40 micron	P3NEA9PGSABNN
	# 1" port body with 1-1/2" port block					

Note: BSPP ported units supplied using NPT ported bodies and BSPP port block kits.

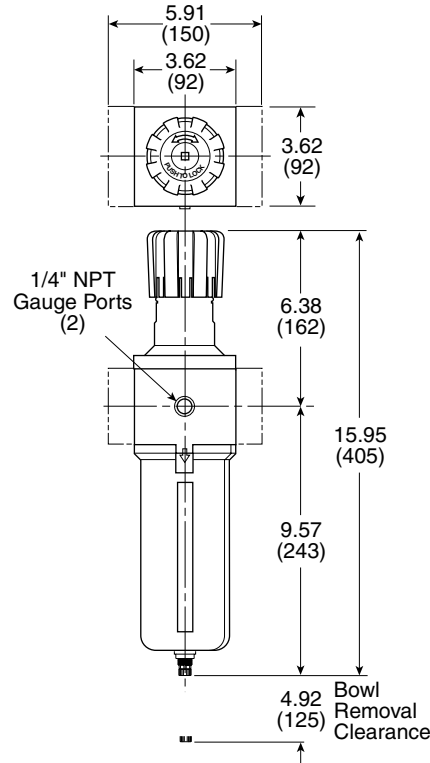
WARNING

Product rupture can cause serious injury.
 Do not connect regulator to bottled gas.
 Do not exceed maximum primary pressure rating.

CAUTION: REGULATOR PRESSURE ADJUSTMENT –

The working range of knob adjustment is designed to permit outlet pressures within their full range. Pressure adjustment beyond this range is also possible because the knob is not a limiting device. This is a common characteristic of most industrial regulators, and limiting devices may be obtained only by special design. For best performance, regulated pressure should always be set by increasing the pressure up to the desired setting.

P3NE (Hi-Flow)



Service kits

Description		P3NE	
Bowl kits: Metal bowl –	Automatic drain	P3NKA00BSA	
	Twist drain	P3NKA00BSM	
Bowl latch kit		C11A33	
Control knob		P3NKA00PN	
Drain kits –	Automatic float drain	PS506P	
	Twist drain	PS512P	
Filter element kits –	40 Micron	P3NKA00ESG	
	5 Micron	P3NKA00ESE	
	Adsorber	P3NKA00ESA	
Gauges –	50mm (2") round 1/4" center back mount	60 PSIG (0 to 4.1 bar)	K4520N14060
		160 PSIG (0 to 11.0 bar)	K4520N14160
		300 PSIG (0 to 20.0 bar)	K4520N14300
	44mm (1-3/4") digital round 1/4" center back mount	0-160 PSIG / 0-11 bar / 0-1.1 MPa	K4517N14160D
Mounting bracket kit* (includes panel mount nut)		P3NKA00MW	
Service kits –	Non-relieving	P3NKA00RN	
	Relieving	P3NKA00RR	
Sight gauge kit		P3NKA00PE	
Springs –	1- 60 PSIG rang)	C10A1304	
	2- 125 PSIG range	C10A1308	
	5-250 PSIG range (white)	C10A1317	



Air Preparation Products

Global

Prep-Air II

Miniature

P3N

General Industrial

Stainless Steel

Precision / Proportional

Bulk Liquid Separators

